



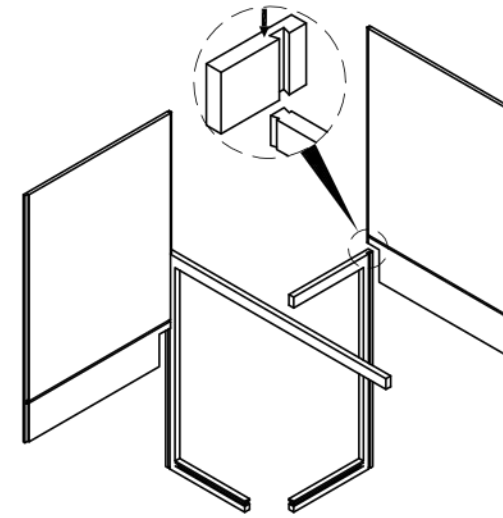


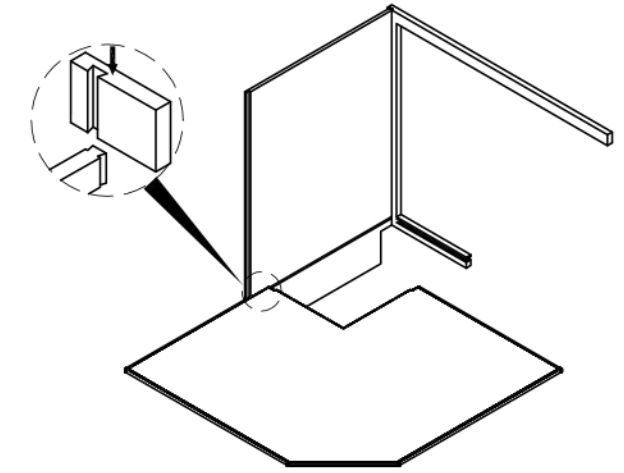
LS33
LS36

Assembly instructions

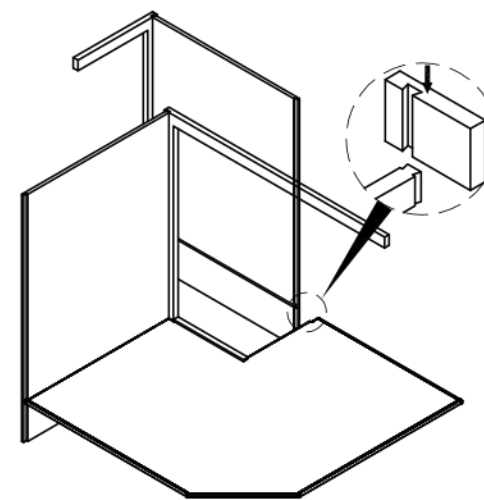
NO.	Picture	Specification	Qty				
A		$\phi 4*1''$	33	C			5
B			2	D		$\phi 3*1/2''$	20



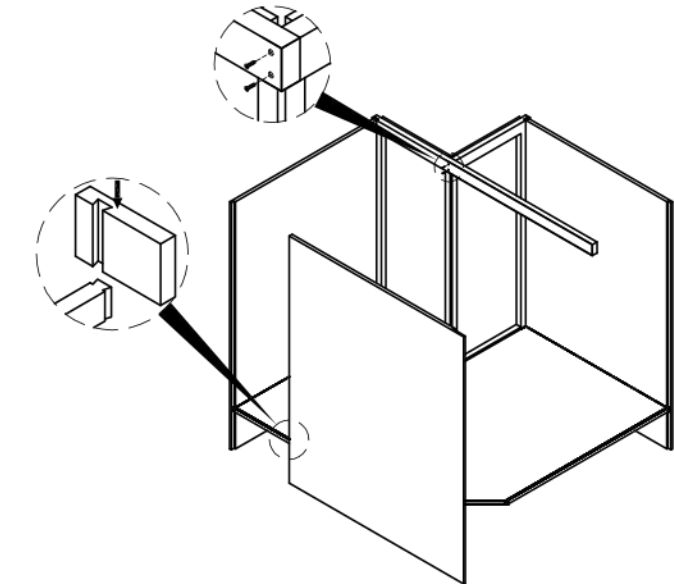
step 1



step 2



step 3



step 4

LS33
LS36

