

Liner

for use with wood range hood

Lily Ann Cabinets

Family Owned & Operated Since 2004

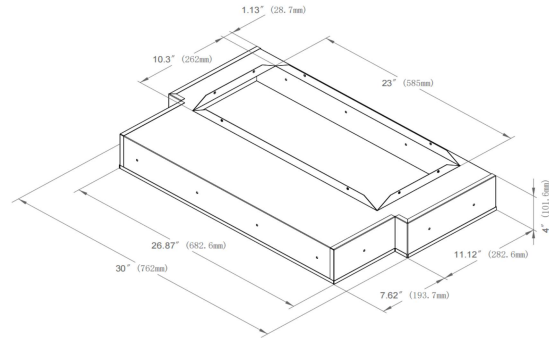
lilyanncabinets.com

800-551-1438

INSTALLATION INSTRUCTIONS

Professional Custom Liner - Models: RGH30-Liner
RGH36-Liner

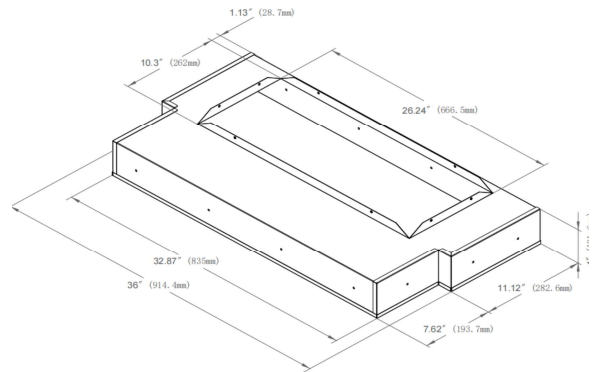
Model RGH30-Liner



Parts included with your custom liner:

- Stainless steel custom liner for use with our ventilator models (HOODFAN-25" & 27")
- Hardware bag with Phillips head screws for installation

Model RGH36-Liner



Tools required for installation:

- Phillips head screwdriver
- Tape measure
- Level

To install your custom liner with our ventilator:

- 1) Remove any protective film from all parts (if applicable).
- 2) Insert ventilator up through liner opening.
- 3) Secure ventilator to the flanges of the liner using phillips head screws.

