

**PR3015**

**ASSEMBLY INSTRUCTIONS**

Getting started:

prepare a protection layer, a screwdriver

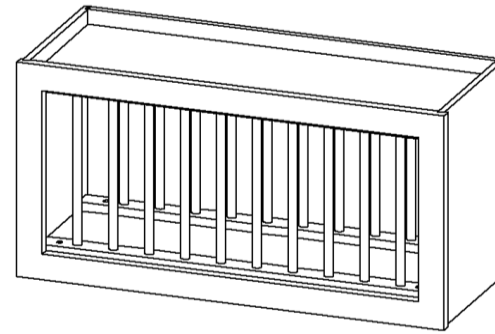
STEP 1: Join side panel with back panel.

STEP 2: Join side panels with back panel and attach top panel for support.

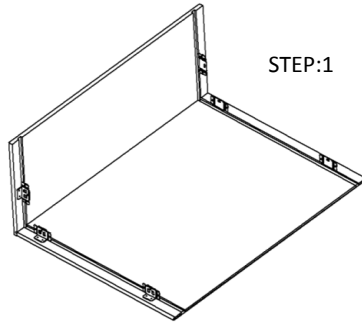
STEP 3: Join bottom panel with side panels and back panel.

STEP 4: Attach the plate rack to side panels.

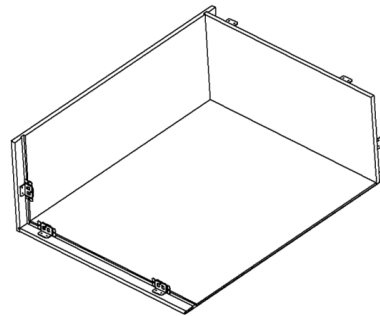
STEP 5: Attach front face-frame on.



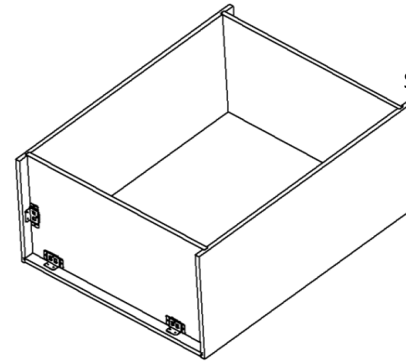
PARTS LIST		
NO.	Description	QTY
1	FACE FRAME	1
2	PLATE RACK	2
3	BACK PANEL	1
4	SIDE PANEL	2
5	TOP&BOTTOM PANEL	2



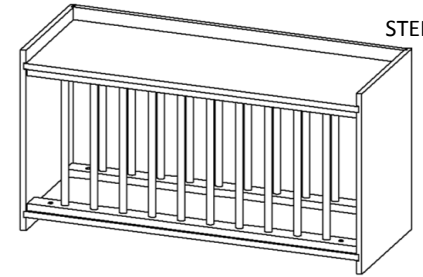
STEP:1






STEP:2

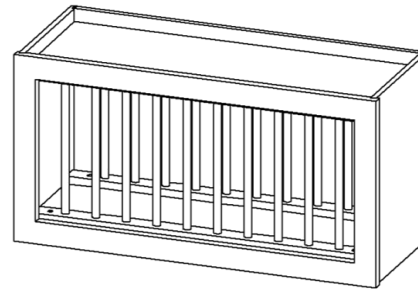


STEP:3



STEP:4

3	9/16"ROUND HEAD SCREW	60	 9/16" round head screw
2	CLEAT AND BUCKLE	12	 Cleat and Buckle
1	1"FLAT HEAD SCREW FOR CARCASS	16	 1" flat head screw
NO.	Description	QTY	PICTURE
HARDWARE LIST			



STEP:5