



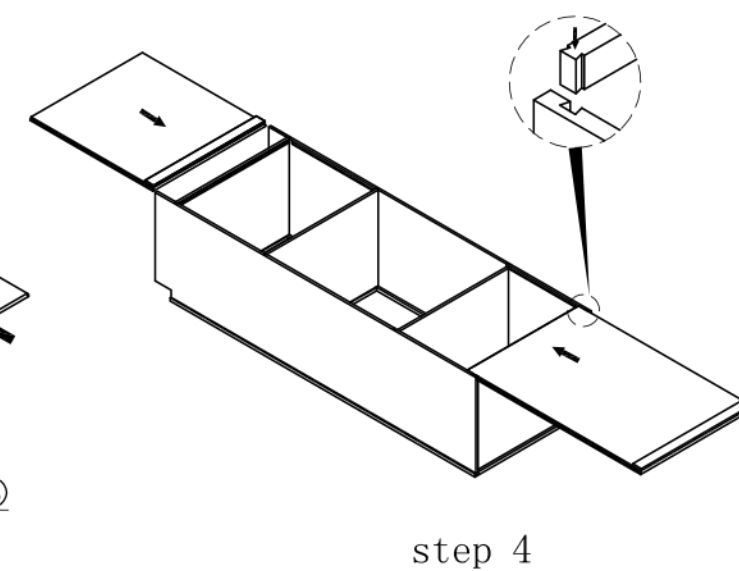
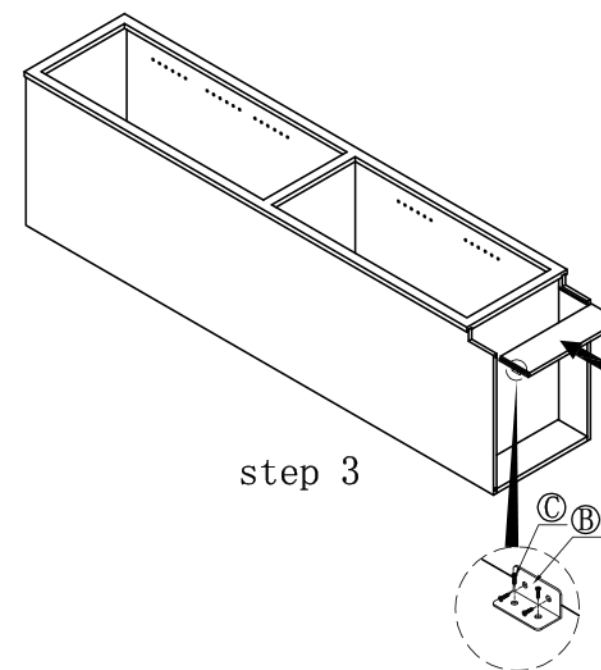
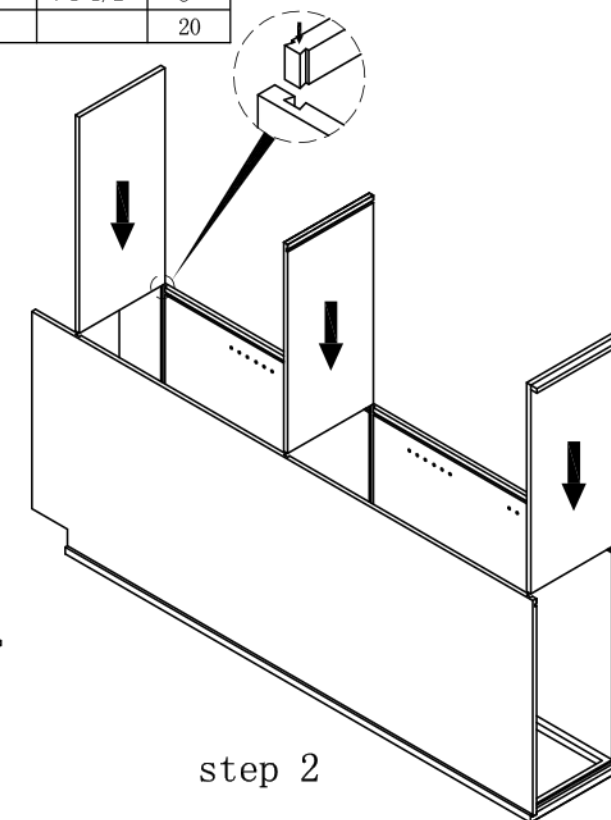
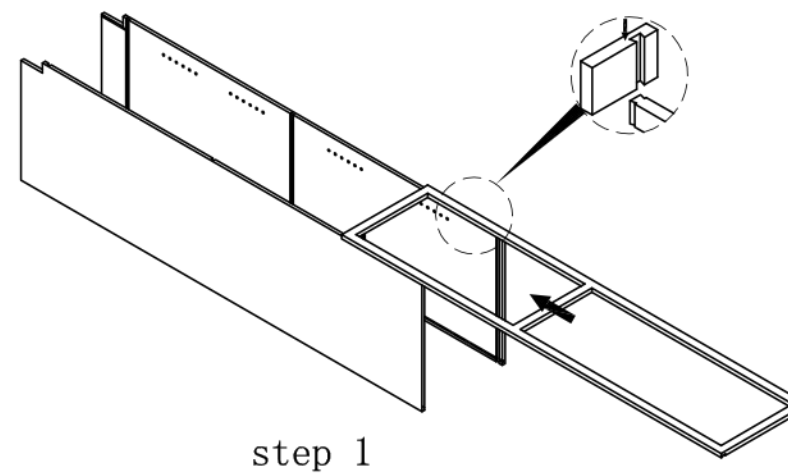


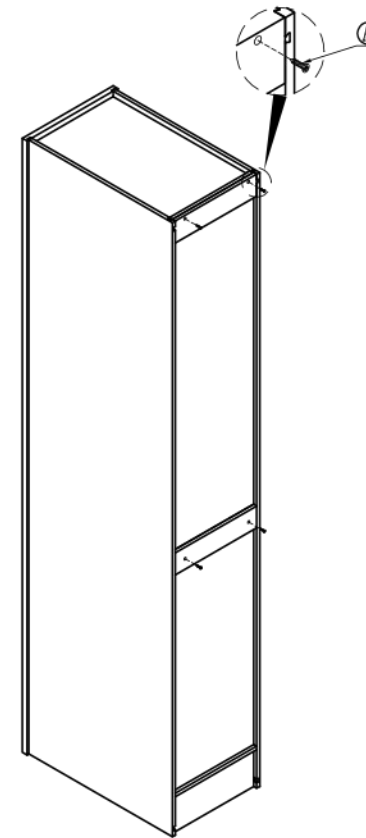
VOL188021

Assembly instructions

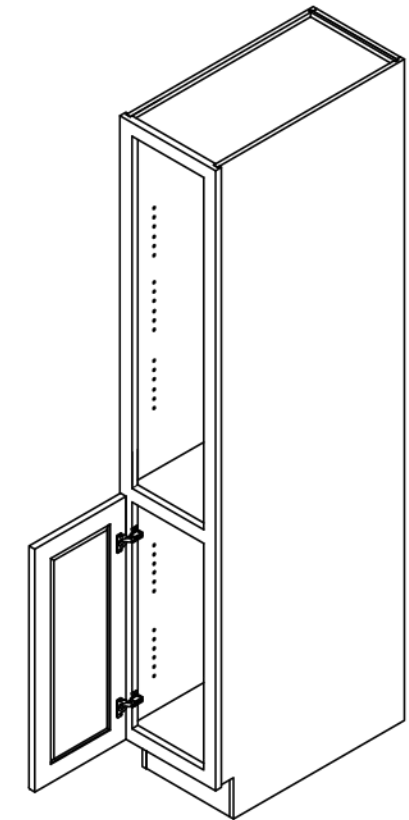
NO.	Picture	Specification	Qty				
A		$\phi 4 * 1''$	4	C		$\phi 4 * 1/2''$	8
B			2	D			20



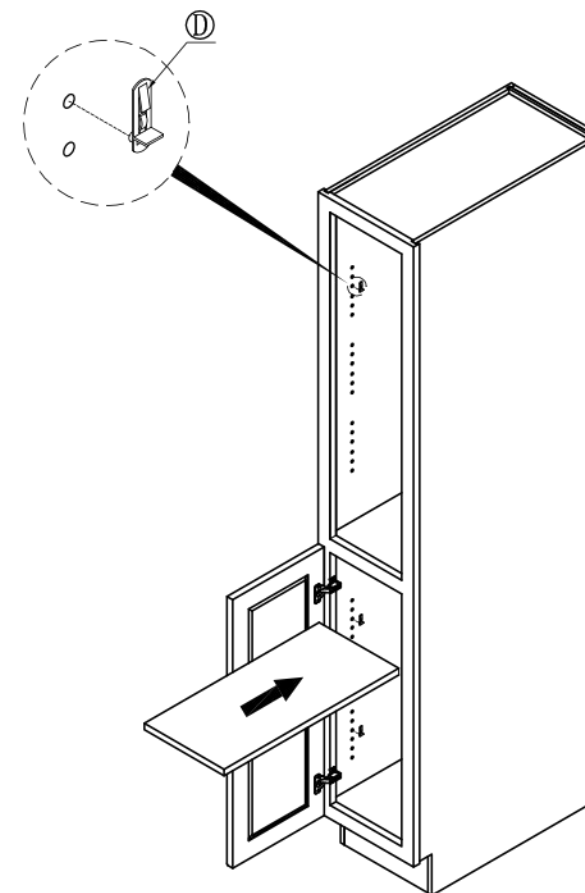
VOL188021



step 5



step 6



step 7

