






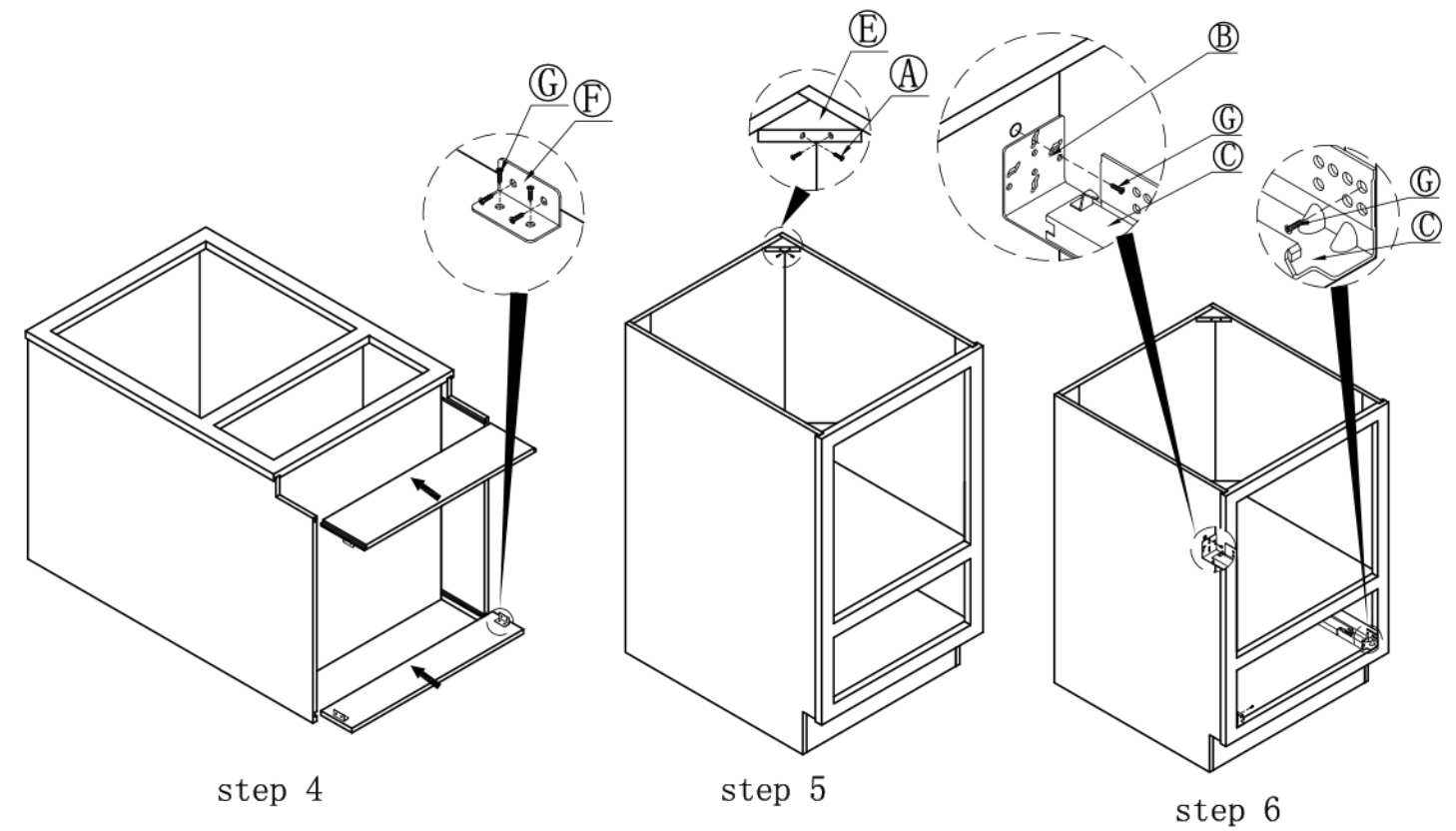
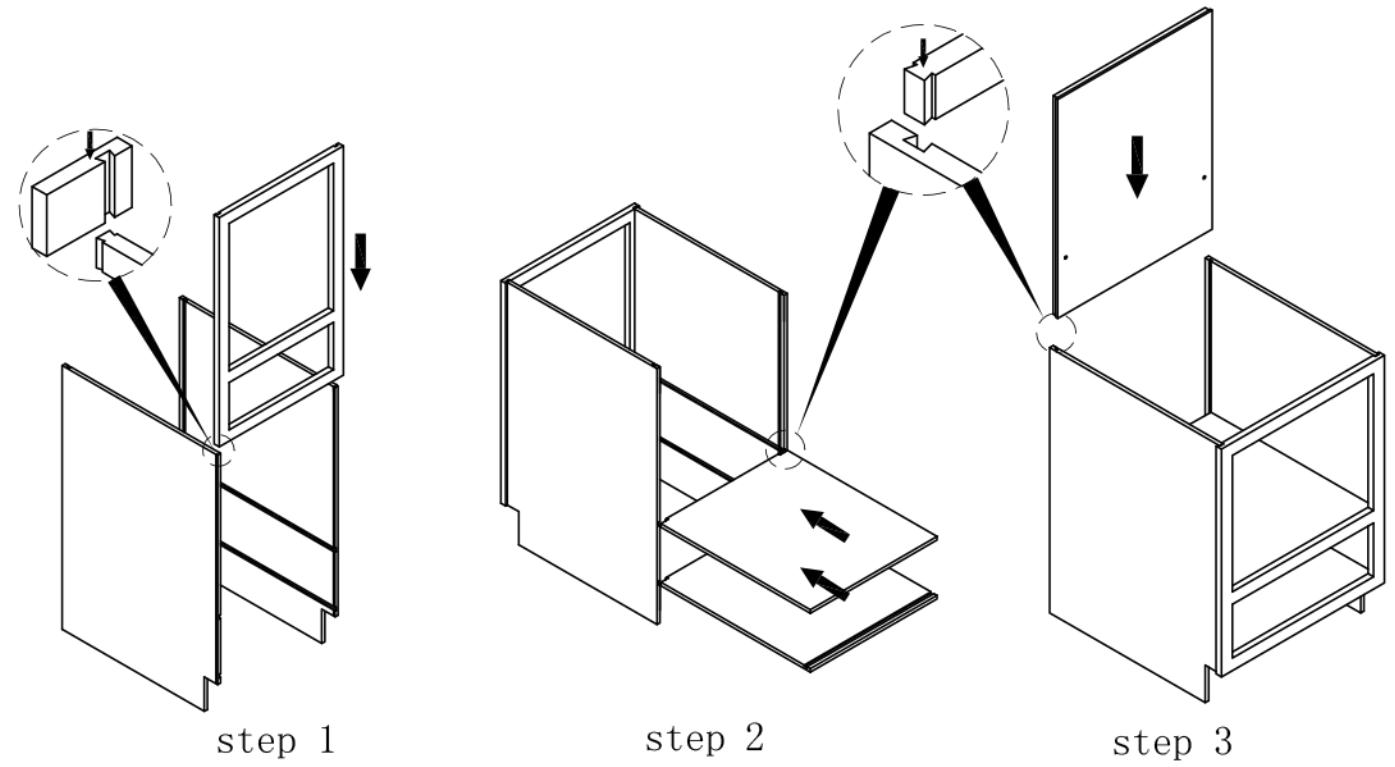


MB33

Assembly instructions

NO.	Picture	Specification	Qty
A		φ4*1"	8
B			2
C			2
D			2

NO.	Picture	Specification	Qty
E			4
F			4
G		φ3*1/2"	36



MB33

