
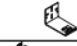





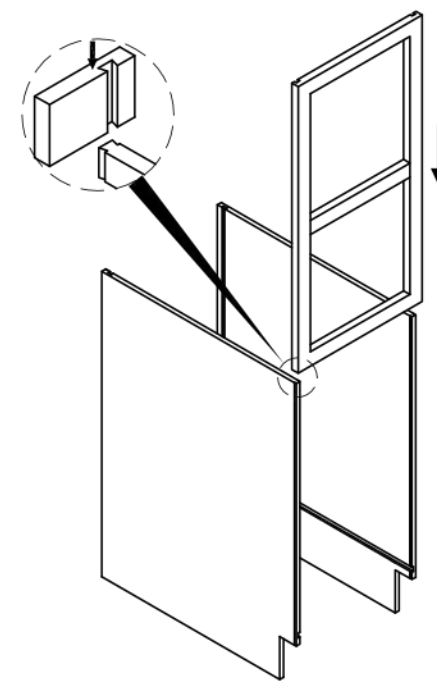


DB-2

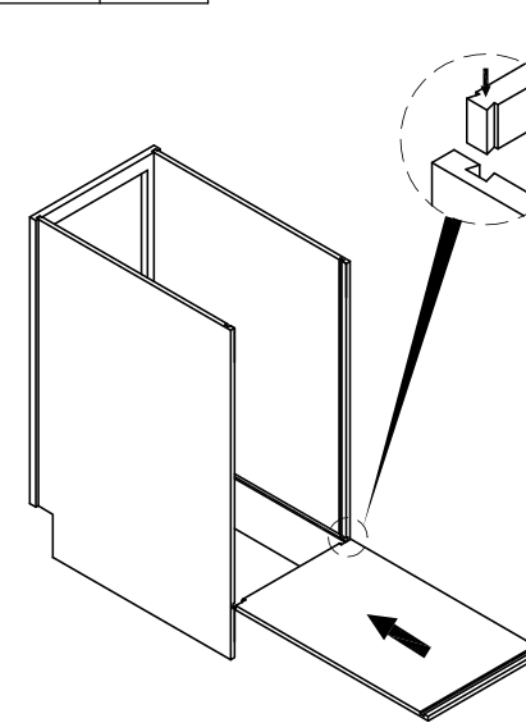
Assembly instructions

NO.	Picture	Specification	Qty
A		φ4*1"	8
B			4
C			4
D			4

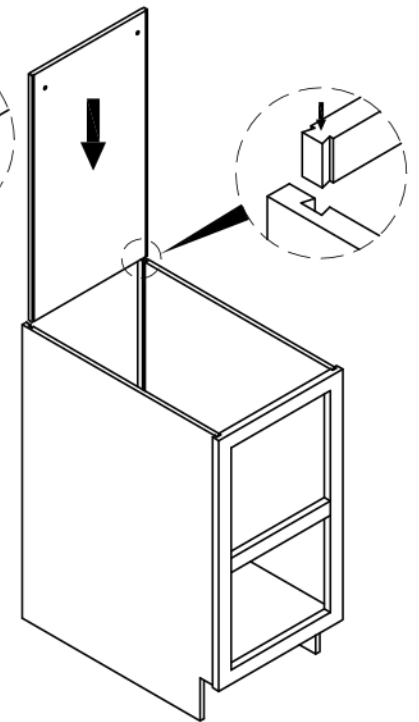
E			4
F			4
G		φ3*1/2"	36



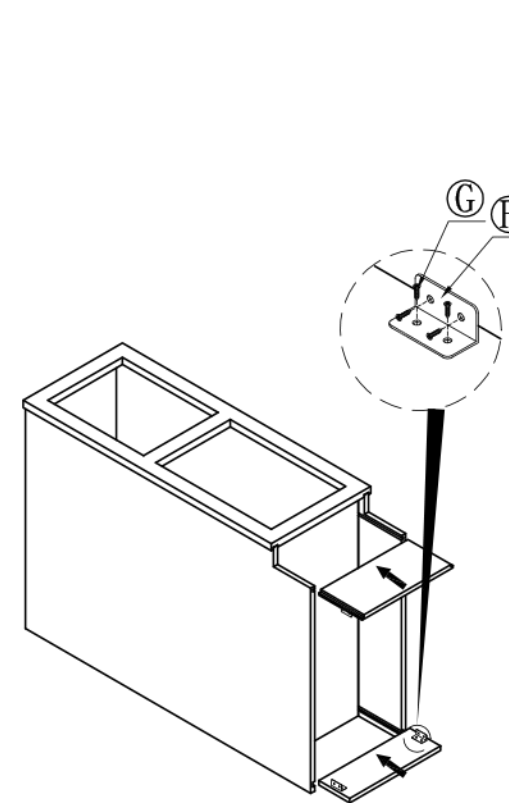
step 1



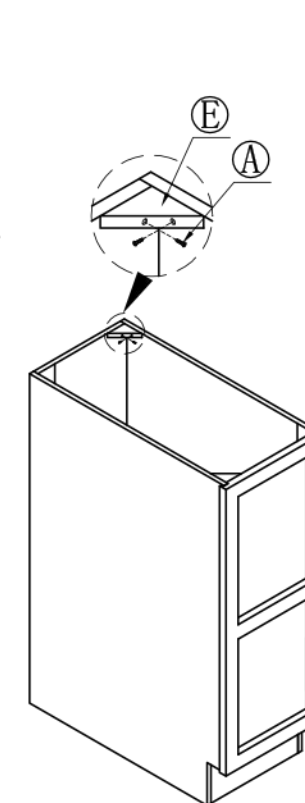
step 2



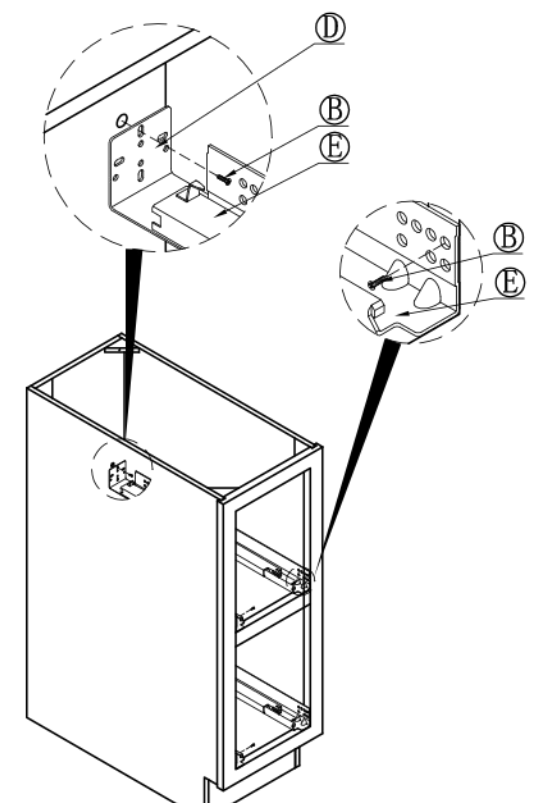
step 3



step 4

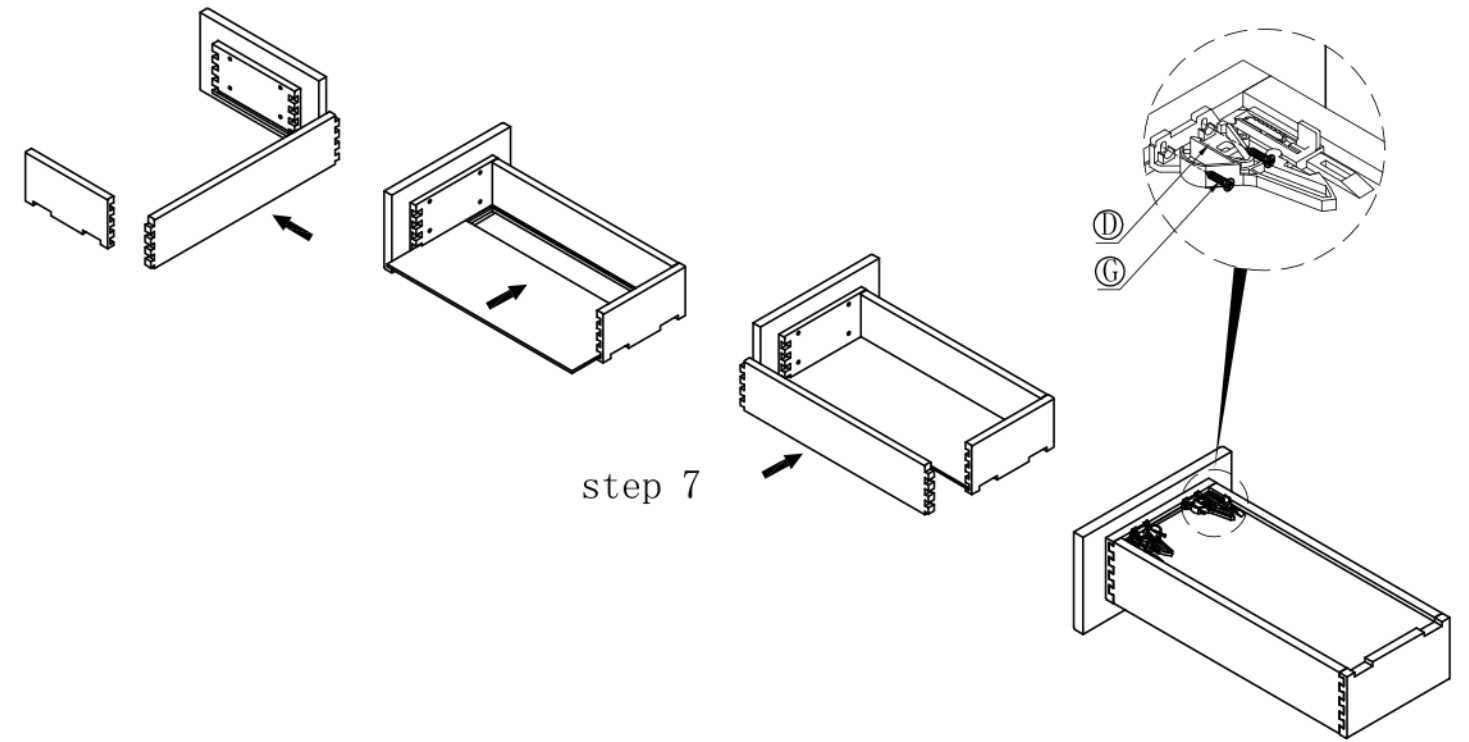


step 5

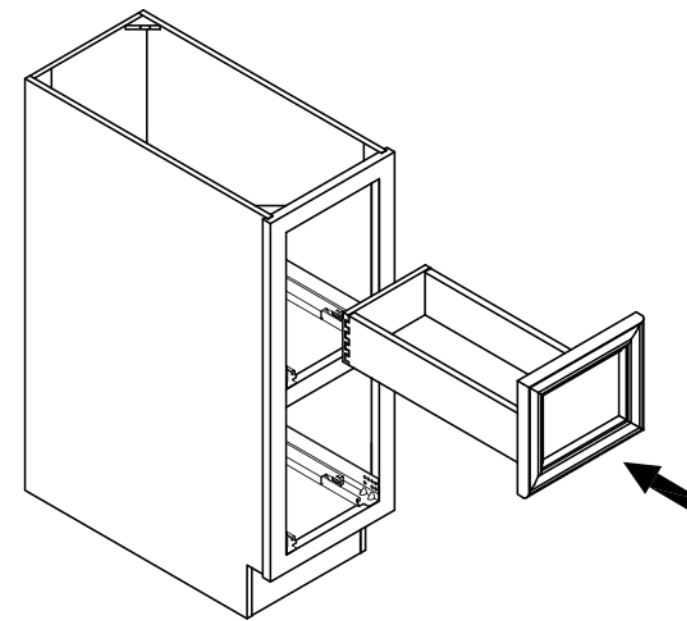


step 6

DB-2



step 7



step 8

