

VS24,VS27

ASSEMBLY INSTRUCTIONS

Getting started:

Prepare a solid surface with protection layer to assemble on.

STEP 1: Join side panel with back panel.

STEP 2: Join bottom panel with side panel.

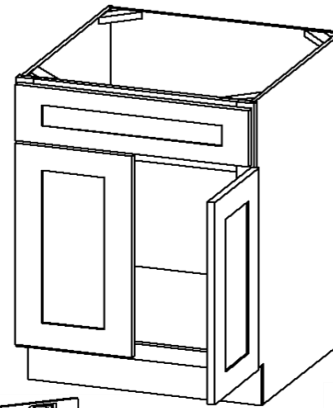
STEP 3: Join side panel with bottom and back panel.




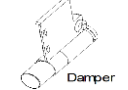


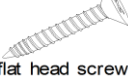
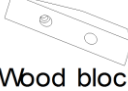
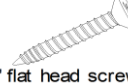
STEP 4: Attach face-frame and toekick board.

STEP 5: Attach the wooden corner blocks on the top corners.

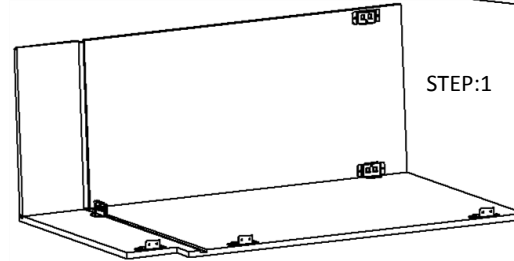
STEP 6: Fix doors and drawer head onto the face-frame and adjust the cover-space.

PARTS LIST		
NO.	Description	QTY
1	FACE FRAME	1
2	BACK PANEL	1
3	TOP&BOTTOM PANEL	1
4	SIDE PANEL	2
5	TOE KICK	1
6	CABINETS DOOR	2
7	DRAWER HEAD	1

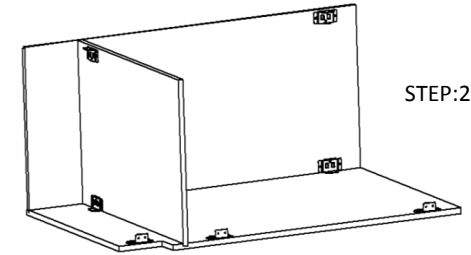


9	1 1/2" SOFTCLOSE HINGE	4	
8	3/4" ROUND HEAD SCREW	4	
7	BUMPER	4	
6	DAMPER	2	
5	9/16" ROUND HEAD SCREW	55	
4	CLEAT AND BUCKLE	11	
3	1" FLAT HEAD SCREW FOR CARCASS	3	
2	WOOD BLOCK	4	
1	1" FLAT HEAD SCREW FOR WOOD BLOCK	8	
NO.	Description	QTY	PICTURE

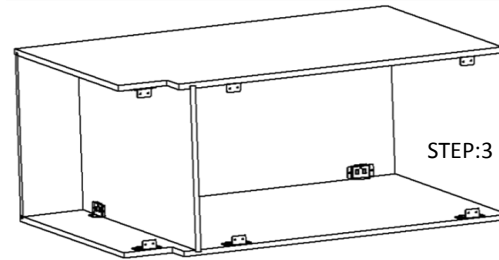
HARDWARE LIST



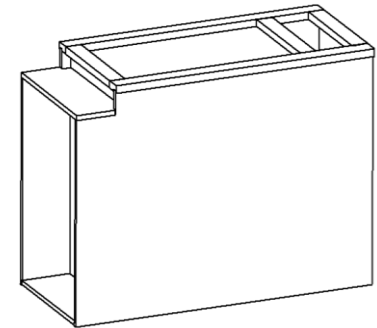
STEP:1



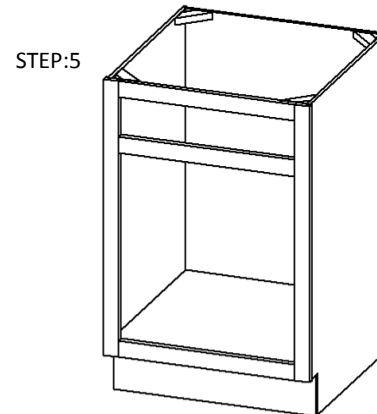
STEP:2



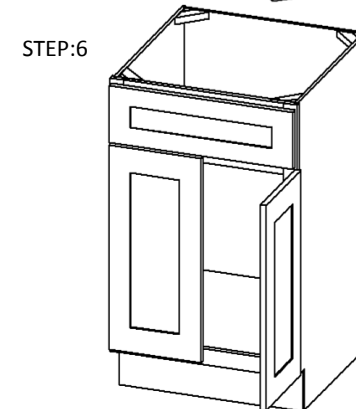
STEP:3



STEP:4



STEP:5



STEP:6

How To Fix Soft Close Hinge

