

# DCSF42

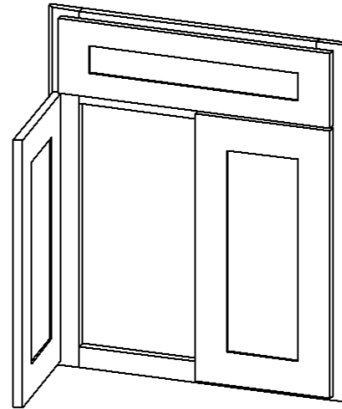
## ASSEMBLY INSTUCTIONS

Getting started:

Prepare a solid surface with protection layer to assemble on.

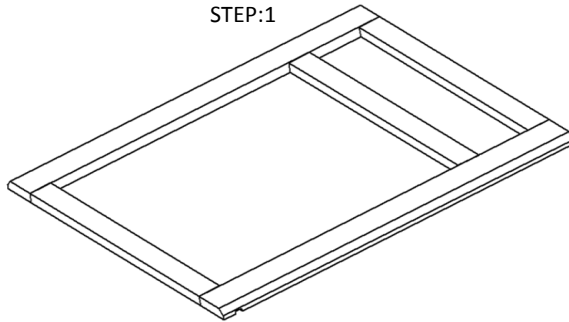
STEP 1: Put the front face-frame on the floor.

STEP 2: Fix doors and drawer head onto the face-frame and adjust the cover-space.

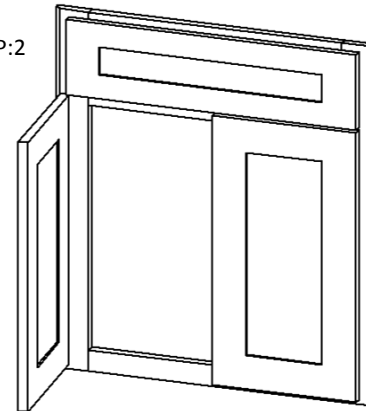





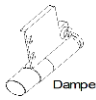
PARTS LIST		
NO.	Description	QTY
1	FACE FRAME	1
2	CABINETS DOOR	2
3	DRAWER HEAD	1

STEP:1



STEP:2



4	1 1/2" SOFTCLOSE HINGE	4	
3	3/4" ROUND HEAD SCREW	4	
2	BUMPER	4	
1	DAMPER	2	
NO.	Description	QTY	PICTURE

HARDWARE LIST

How To Fix Soft Close Hinge

