

# BEC24

## ASSEMBLY INSTRUCTIONS

### Getting started:

Prepare a solid surface with protection layer to assemble on.

STEP 1: Join side and back panel together.

STEP 2: Attach top panel.

STEP 3: Attach bottom panel.

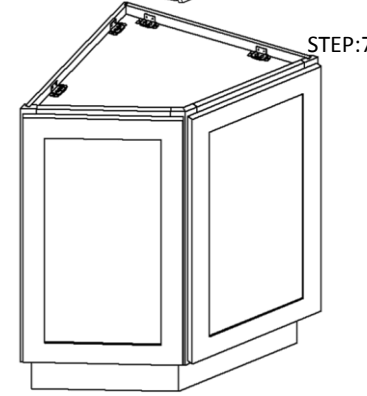
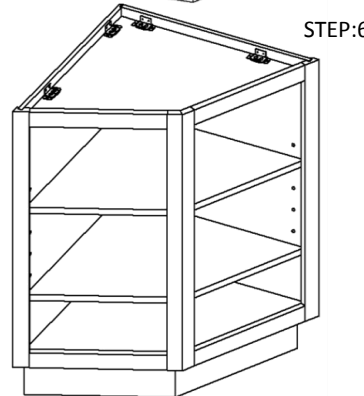
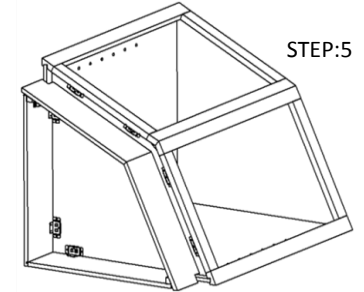
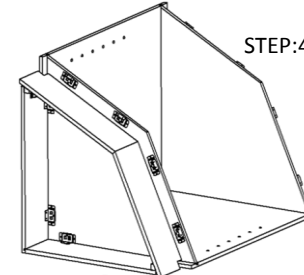
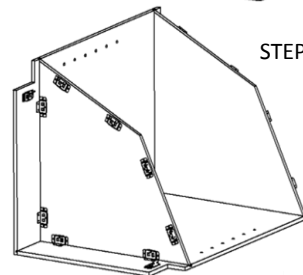
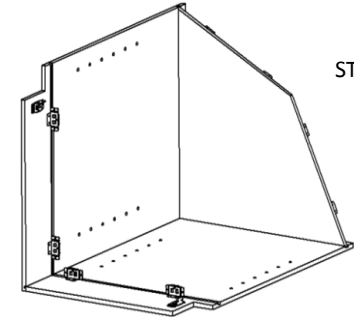
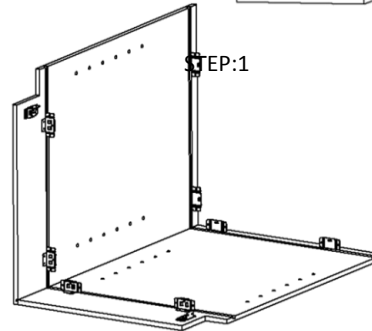
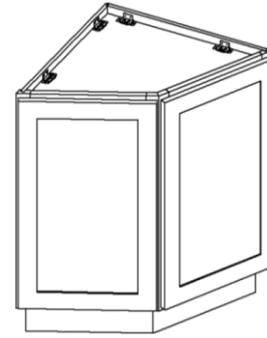
STEP 4: Attach toekick on.

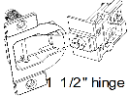





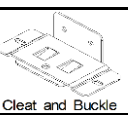
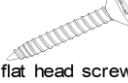
STEP 5: Attach face-frame.

STEP 6: Put in the adjustable shelves.

STEP 7: Fix the doors onto the face-frame and adjust the cover-space.

PARTS LIST		
NO.	Description	QTY
1	FACE FRAME	2
2	ADJUSTABLE SHELF	2
3	TOP&BOTTOM PANEL	2
4	TOE KICK	2
5	SIDE PANEL	1
6	SIDE PANEL	1
7	CABINETS DOOR	2



8	1 1/2" SOFTCLOSE HINGE	4	
7	3/4" ROUND HEAD SCREW	4	
6	BUMPER	4	
5	DAMPER	2	
4	SHELF CLIP	12	
3	9/16" ROUND HEAD SCREW	100	
2	CLEAT AND BUCKLE	18	
1	135 DEGREE ANGLE	5	
NO.	Description	QTY	PICTURE

### HARDWARE LIST

### How To Fix Soft Close Hinge

