
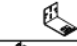





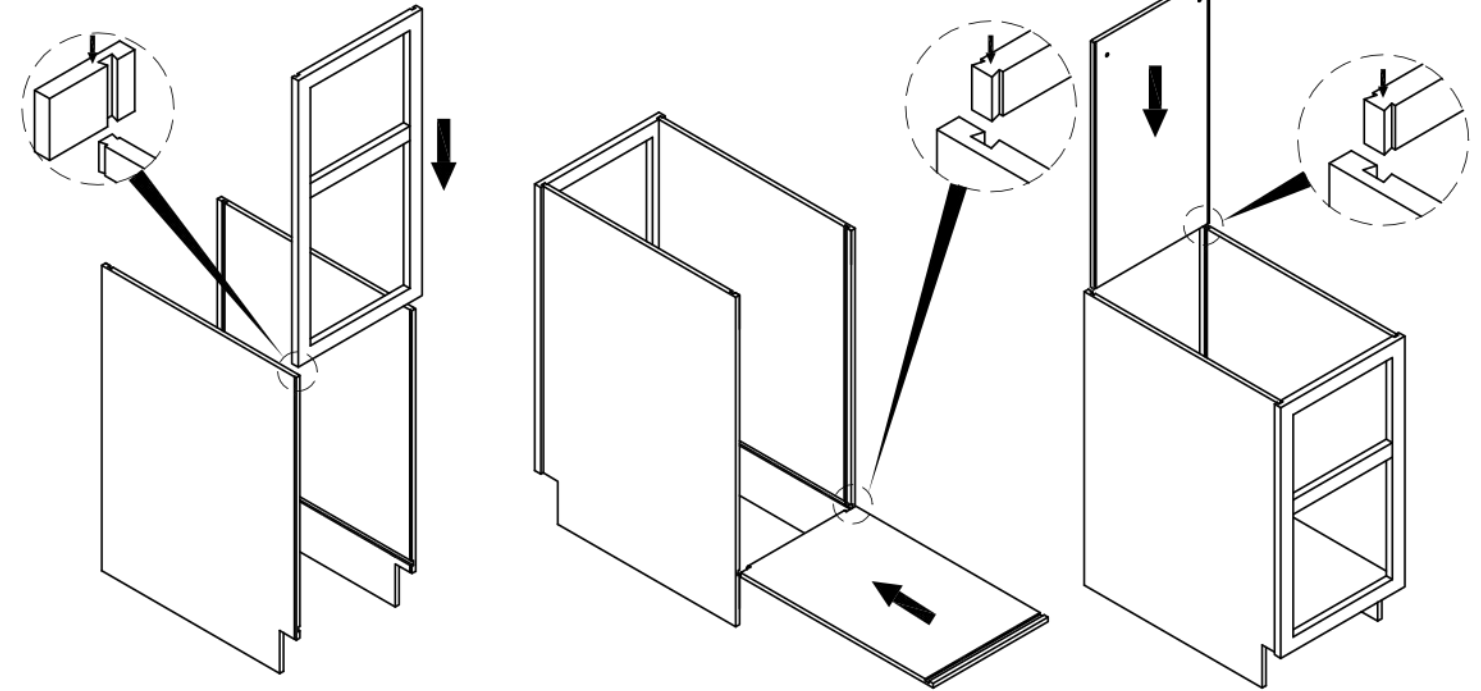


DFB18-2

Assembly instructions

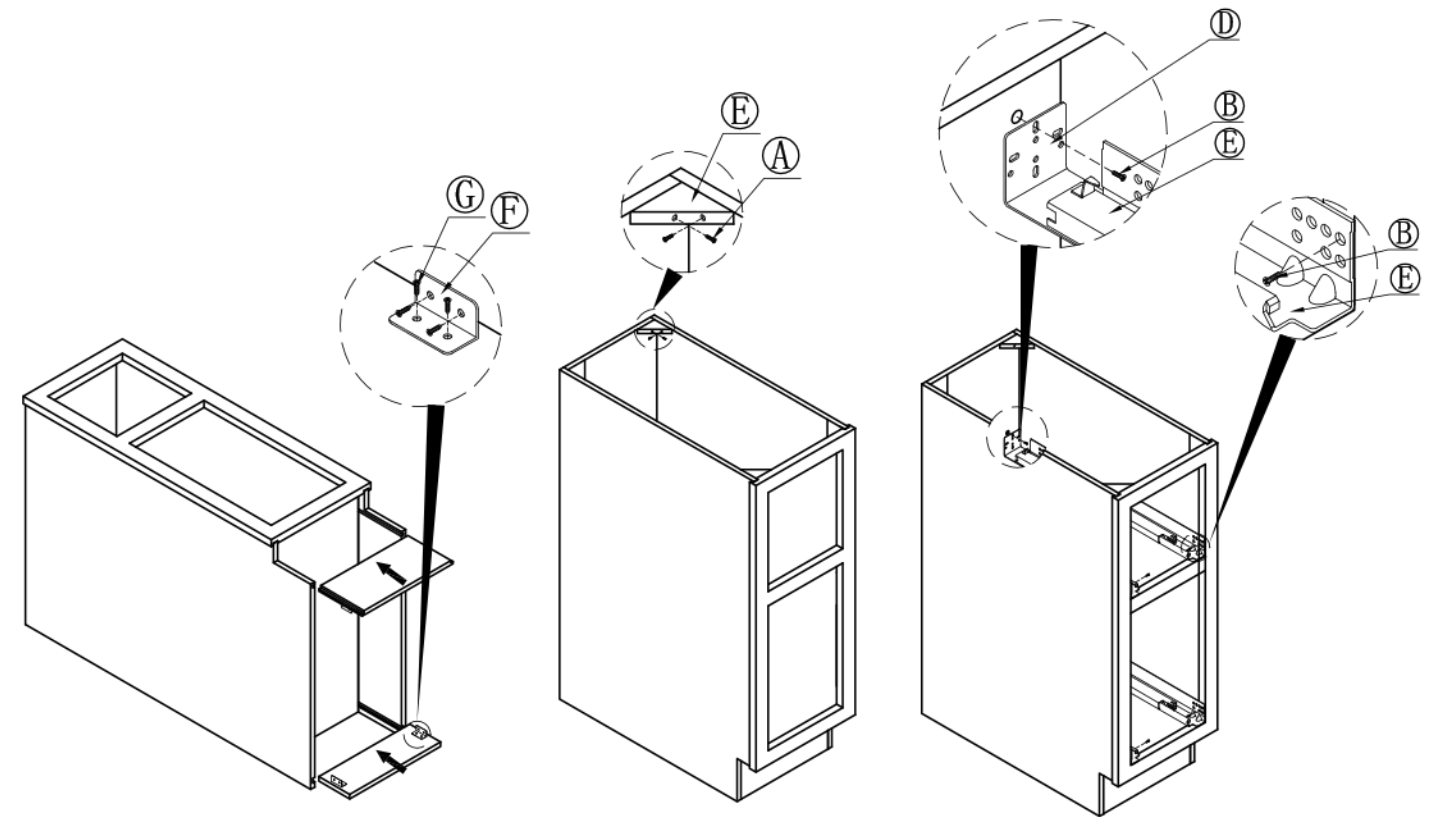
| NO. | Picture | Specification | Qty |
|-----|---|---------------|-----|
| A |  | φ4*1" | 8 |
| B |  | | 4 |
| C |  | | 4 |
| D |  | | 4 |
| E |  | | 4 |
| F |  | | 4 |
| G |  | φ3*1/2" | 36 |



step 1

step 2

step 3

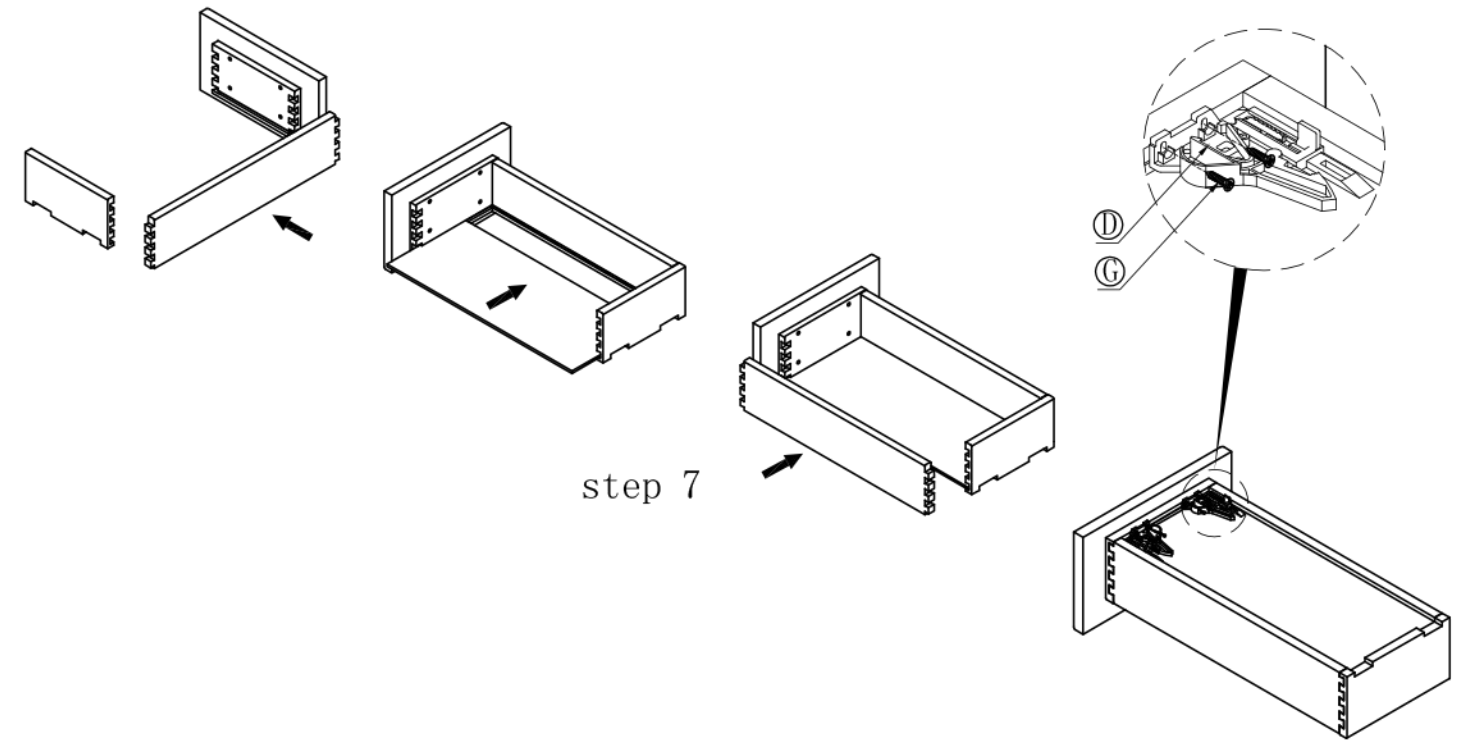


step 4

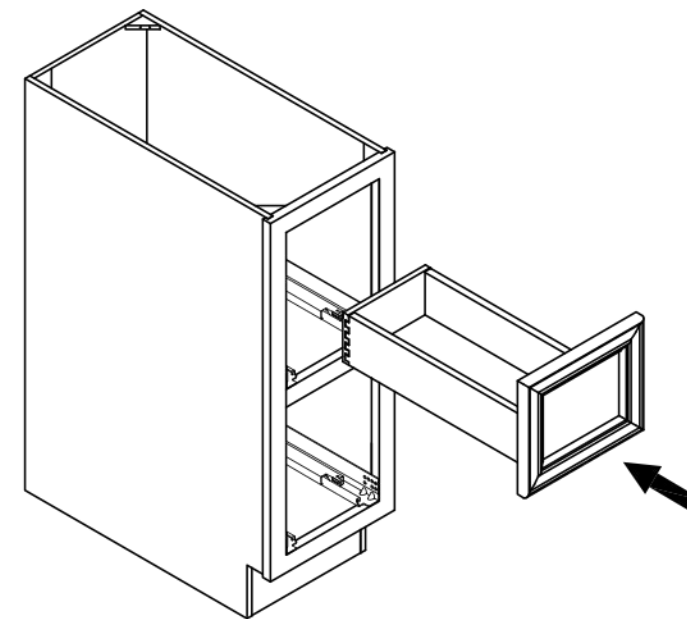
step 5

step 6

DFB18-2



step 7



step 8

