








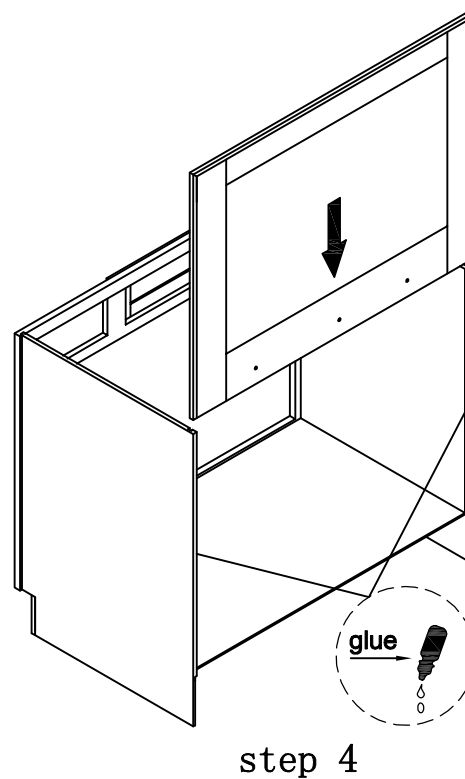
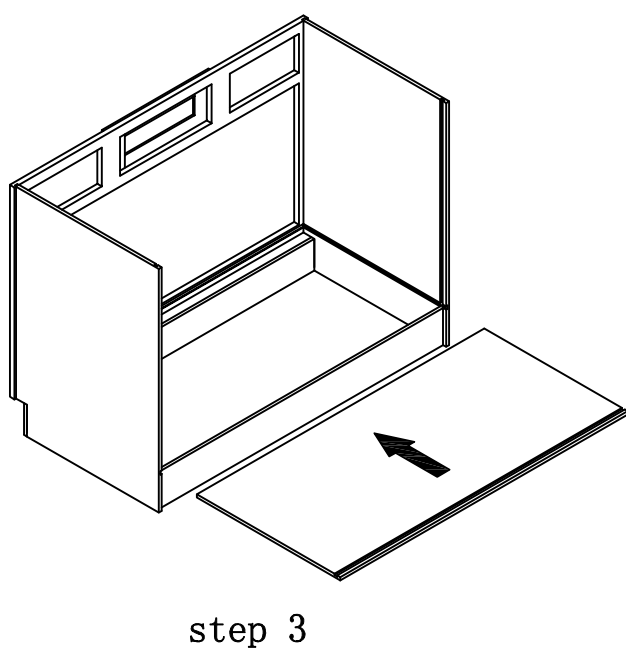
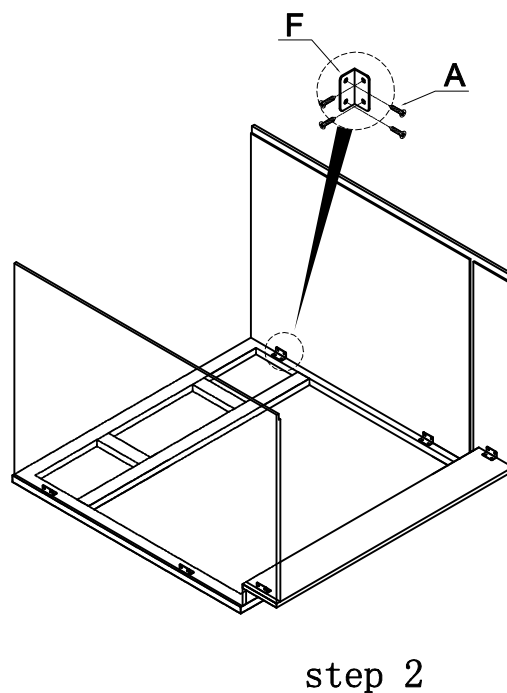
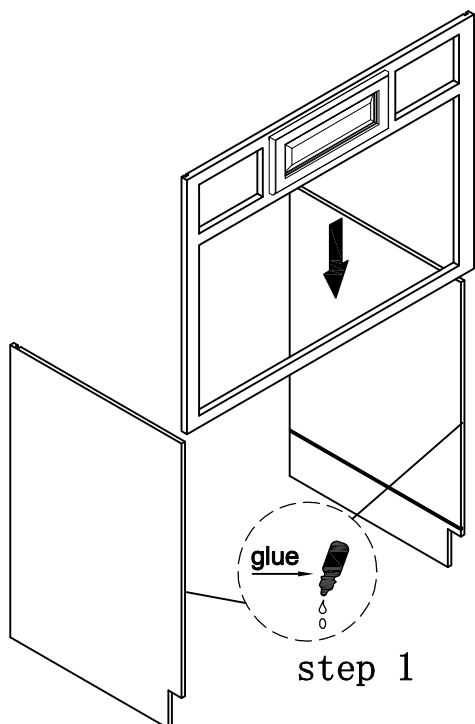
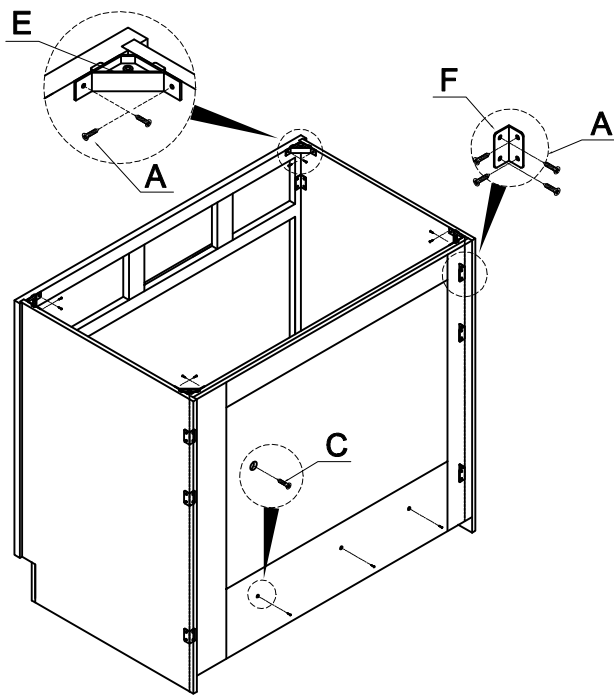


VB3621

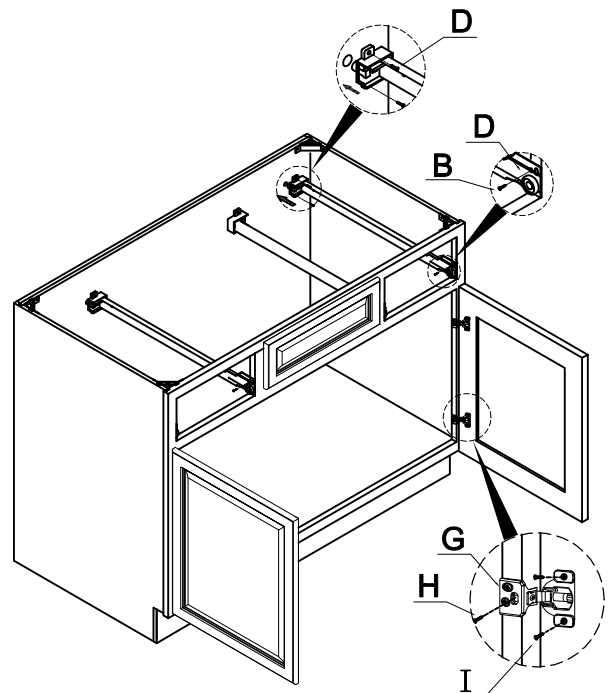
Assembly instructions

NO.	PICTURE	SIZE	QTY	NO.	PICTURE	SIZE	QTY
A		Screws $\text{Ø}3 \times 1/2$ "	56	F		Metal Clip	12
B		Screws $\text{Ø}4 \times 5/8$ "	24	G		Hinges	4
C		Screws $\text{Ø}4 \times 1$ "	3	H		Screws $\text{Ø}4 \times 3/4$ "	4
D		Drawer Glides	2	I		Screws $\text{Ø}4 \times 5/8$ "	8
E		Corner Brackets	4				

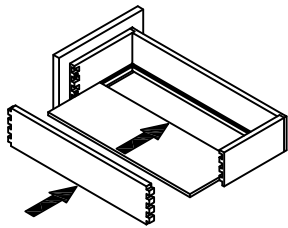




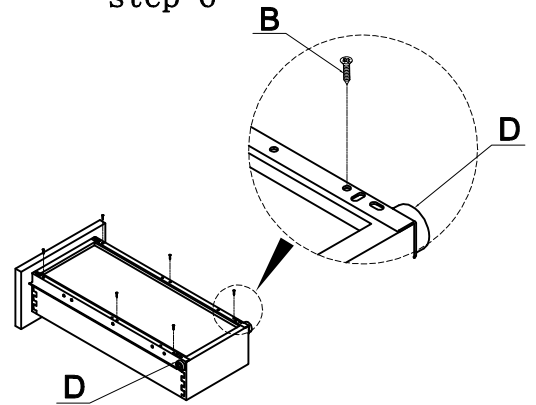
step 5



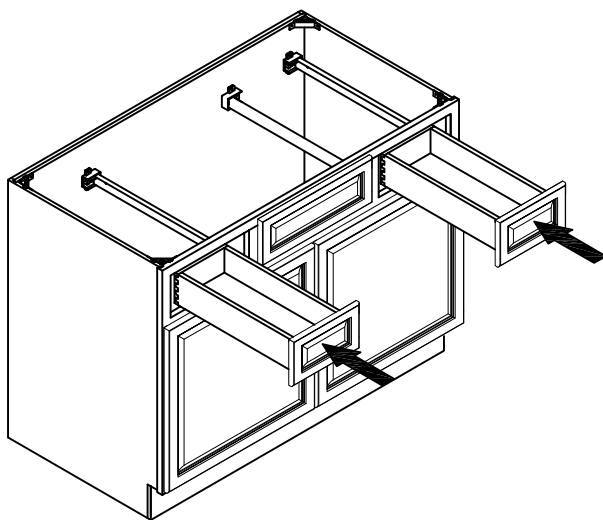
step 6



step 7



step 8



step 9

