




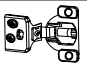


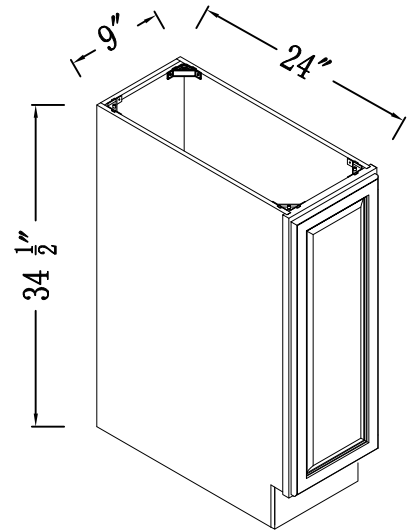


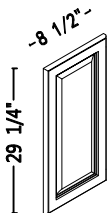
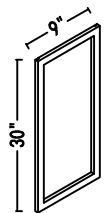
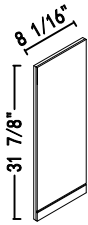

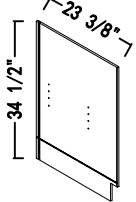
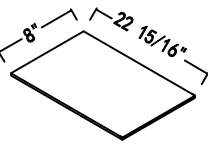
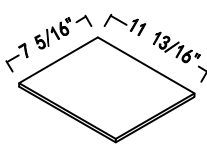
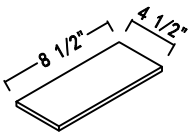
# PART LIST

NO.	Picture	Specification	Qty
A		Screws $\text{Ø}4 \times 1''$	2
B		Screws $\text{Ø}3 \times 1/2''$	48
C		Metal Clip	10
D		Shelf Clips	4
E		Corner Brackets	4
F		Hinges	2
G		Screws $\text{Ø}4 \times 3/4''$	2
H		Screws $\text{Ø}4 \times 5/8''$	4











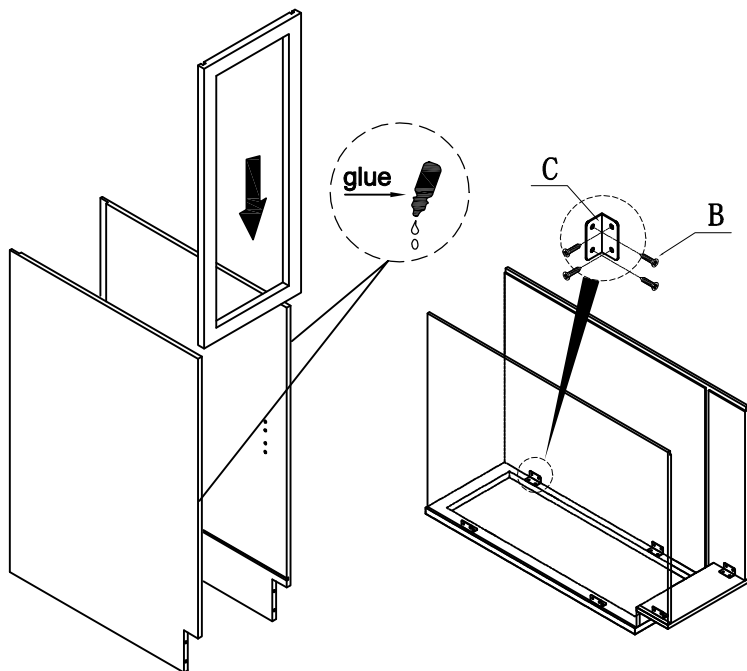
**B9FHD**

Unit:inch

<p>1</p>  <p>Door</p>	<p>2</p>  <p>Face frame</p>	<p>3</p>  <p>Back board</p>	<p>4</p>  <p>Left Side Panel</p>	<p>5</p>  <p>Right Side Panel</p>
<p>6</p>  <p>Bottom</p>	<p>7</p>  <p>Shelf</p>	<p>8</p>  <p>Face TK</p>		

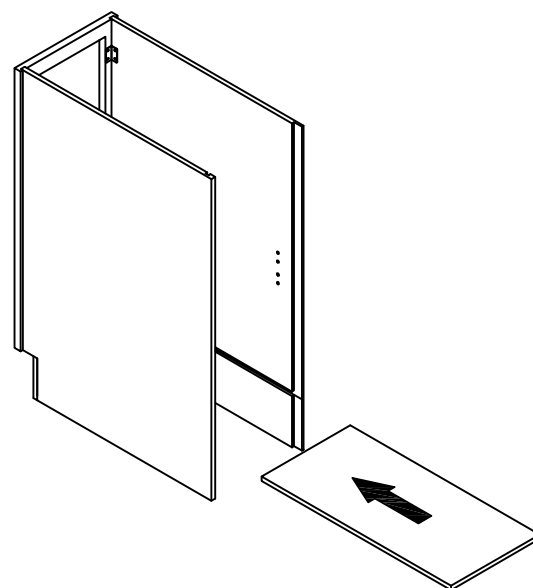
# Assembly instructions

NO.	PICTURE	SIZE	QTY	NO.	PICTURE	SIZE	QTY
A		Screws $\text{\O}4 \times 1''$	2	E		Corner Brackets	4
B		Screws $\text{\O}3 \times 1/2''$	48	F		Hinges	2
C		Metal Clip	10	G		Screws $\text{\O}4 \times 3/4''$	2
D		Shelf Clip	4	H		Screws $\text{\O}4 \times 5/8''$	4

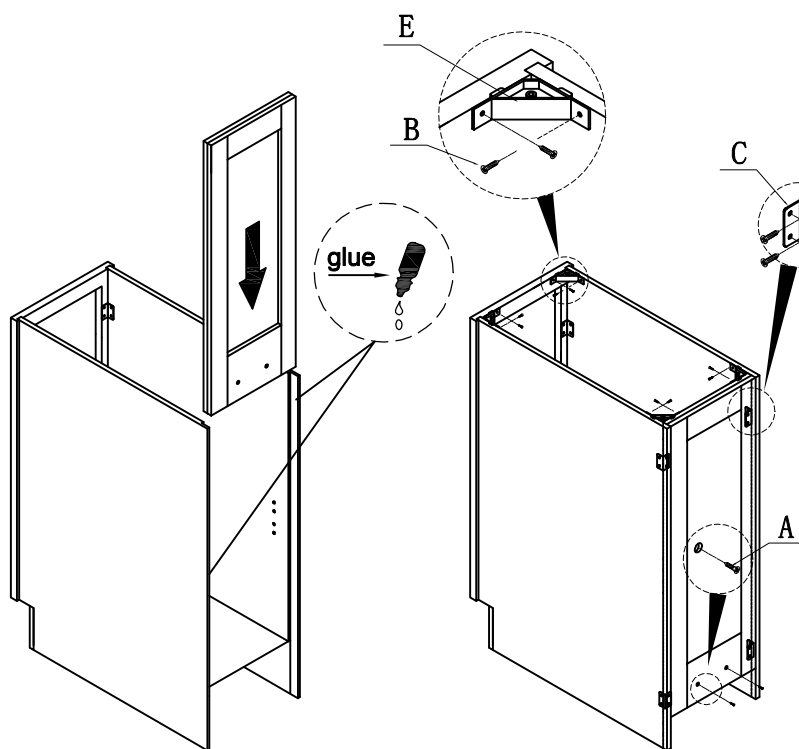


step 1

step 2

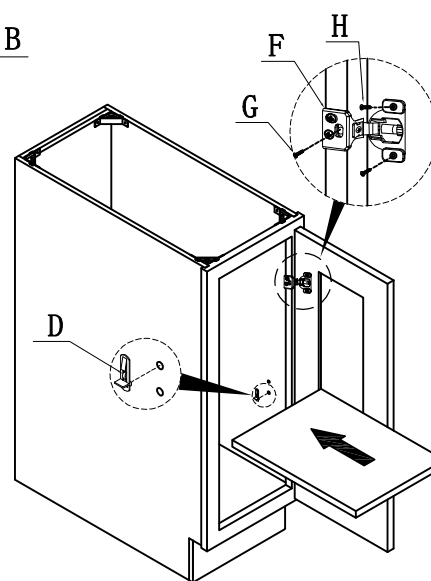


step 3



step 4

step 5



step 6