


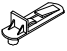

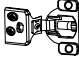


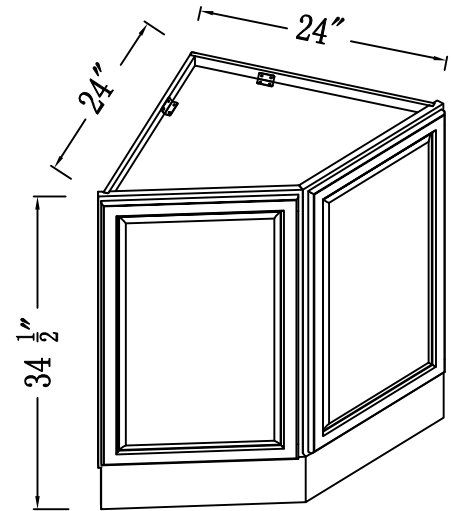


PART LIST

NO.	Picture	Specification	Qty
A		Screws $\varnothing 4 \times 1$ "	9
B		Screws $\varnothing 3 \times 1/2$ "	76
C		Metal Clip	16
D		Shelf Clips	5
E		135° Metal Clip	3
F		Hinges	4
G		Screws $\varnothing 4 \times 3/4$ "	4
H		Screws $\varnothing 4 \times 5/8$ "	8










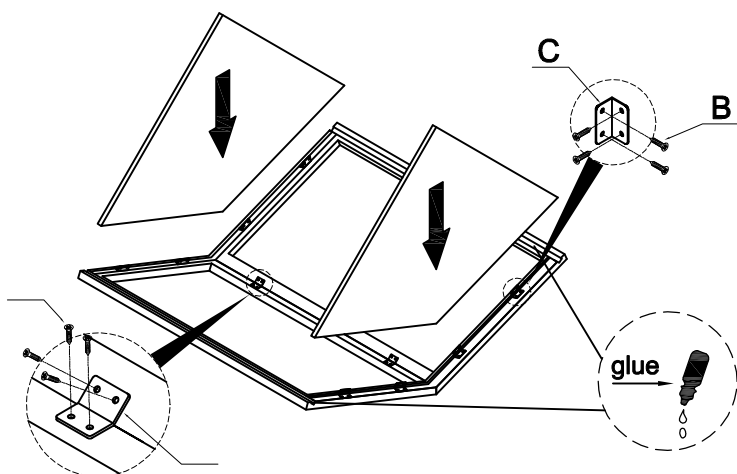
AB24

Unit:inch

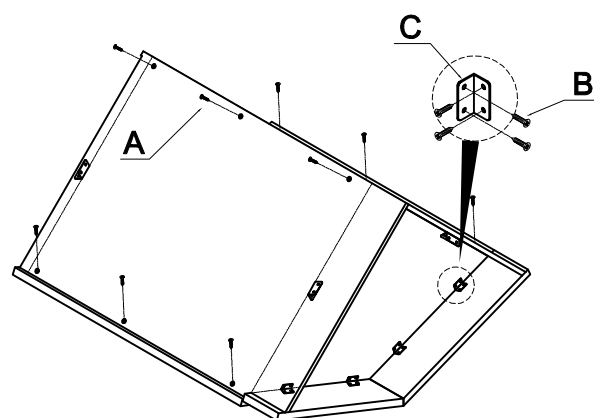
<p>1</p> <p>Door</p>	<p>2</p> <p>Face frame</p>	<p>3</p> <p>Left Side Panel</p>	<p>4</p> <p>Right Side Panel</p>	<p>5</p> <p>Top Panel</p>
<p>6</p> <p>Bottom Panel</p>	<p>7</p> <p>Shelf</p>	<p>8</p> <p>Left Toe Kick</p>	<p>Right Toe Kick</p>	

Assembly instructions

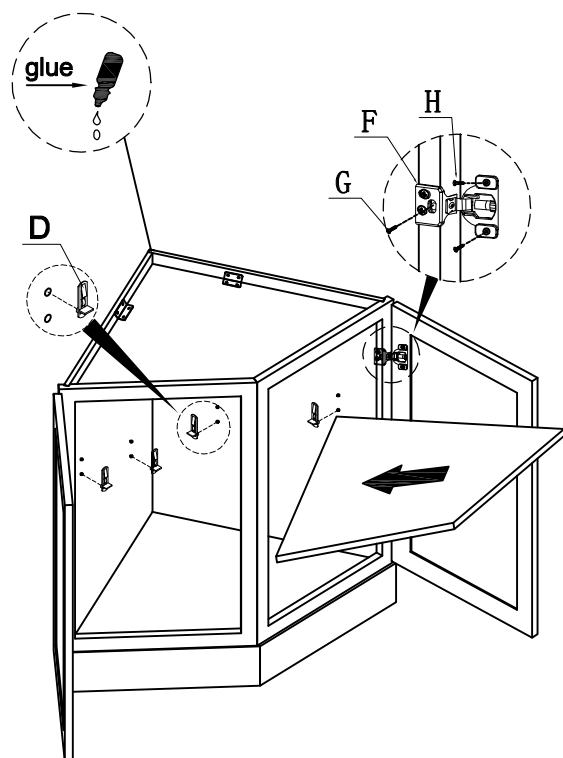
NO.	PICTURE	SIZE	QTY	NO.	PICTURE	SIZE	QTY
A		Screws $\text{Ø}4 \times 1''$	9	E		135° Metal Clip	3
B		Screws $\text{Ø}3 \times 1/2''$	76	F		Hinges	4
C		Metal Clip	16	G		Screws $\text{Ø}4 \times 3/4''$	4
D		Shelf Clip	5	H		Screws $\text{Ø}4 \times 5/8''$	8



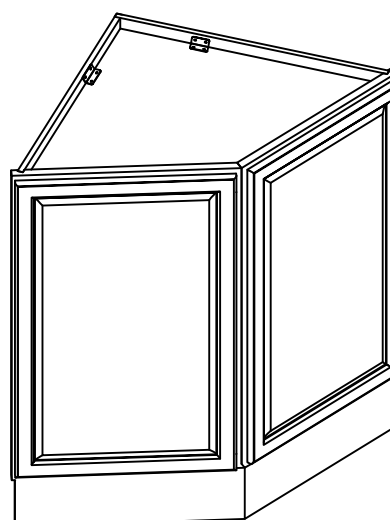
step 1



step 2



step 3



step 4