


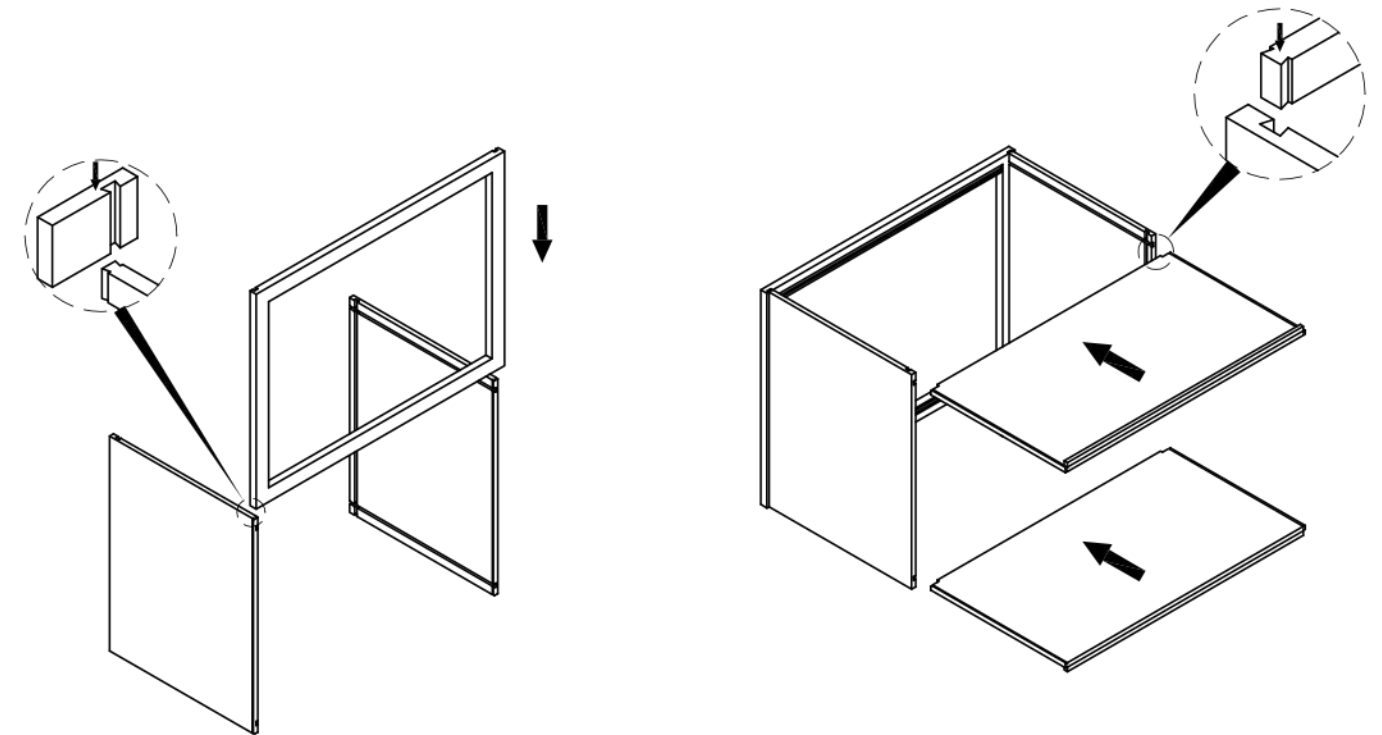


MS3018

Assembly instructions

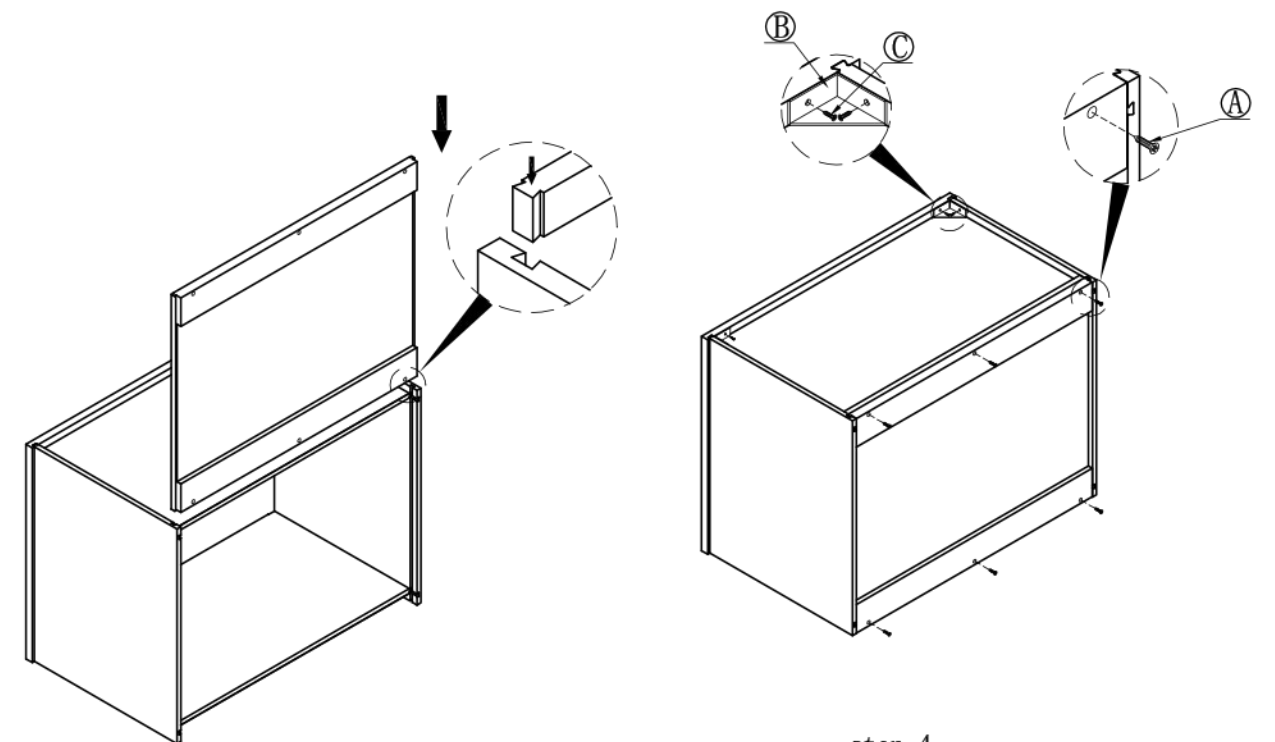
NO.	Picture	Specification	Qty
A		$\phi 4*1''$	9
B			4

C		$\phi 4*1/2''$	8
---	---	----------------	---



step 1

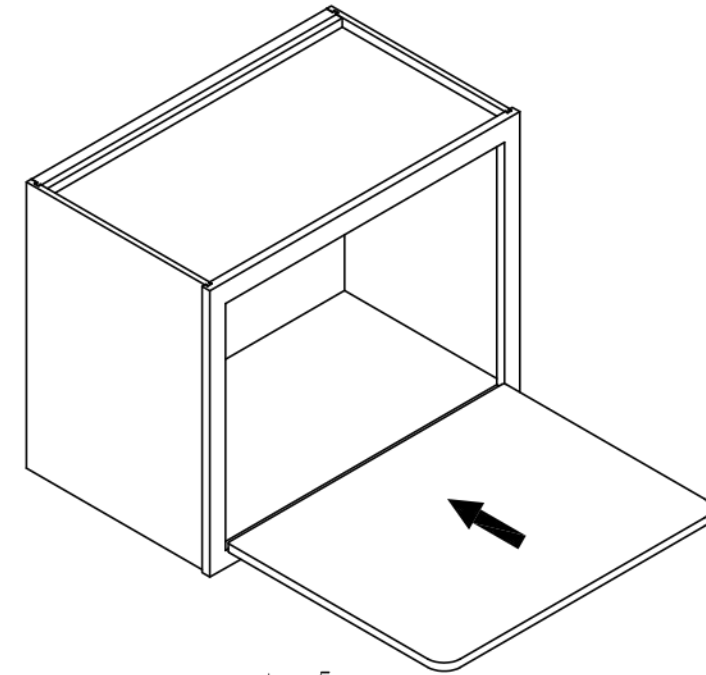
step 2



step 3

step 4

MS3018



step 5

