



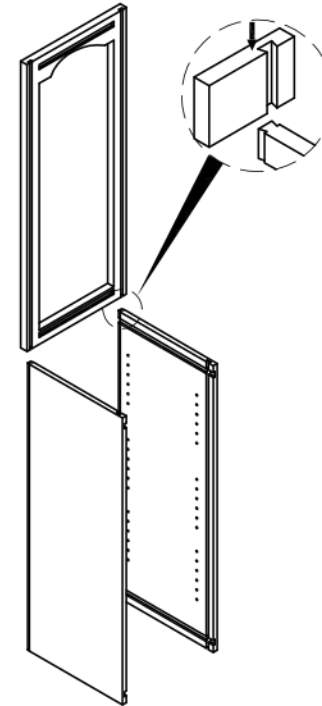


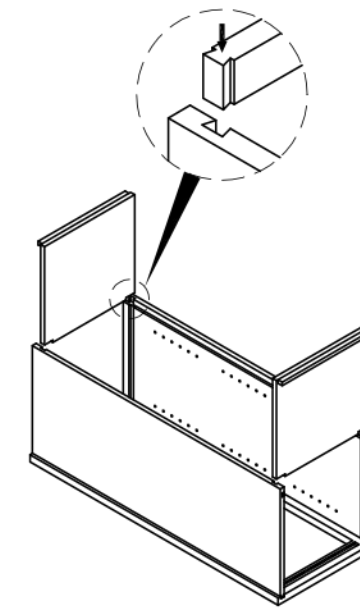
BC1848
BC3048

Assembly instructions

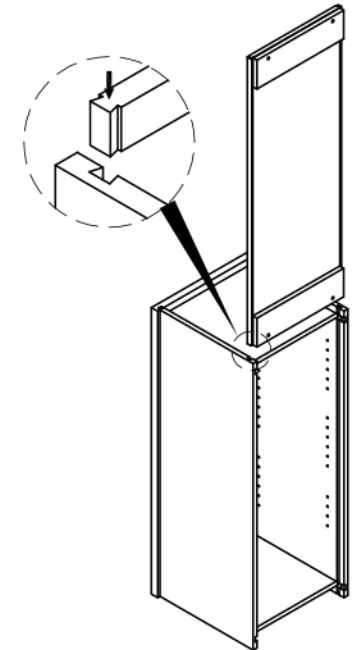
NO.	Picture	Specification	Qty				
A		Φ4*1"	4	C		Φ4*1/2"	8
B			4	D			12



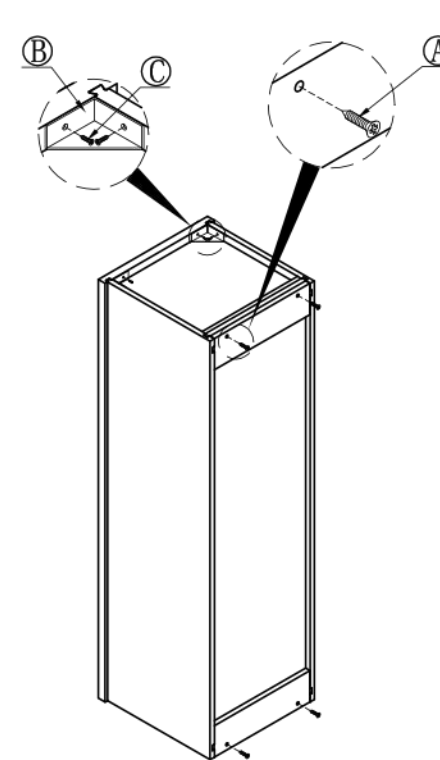
step 1



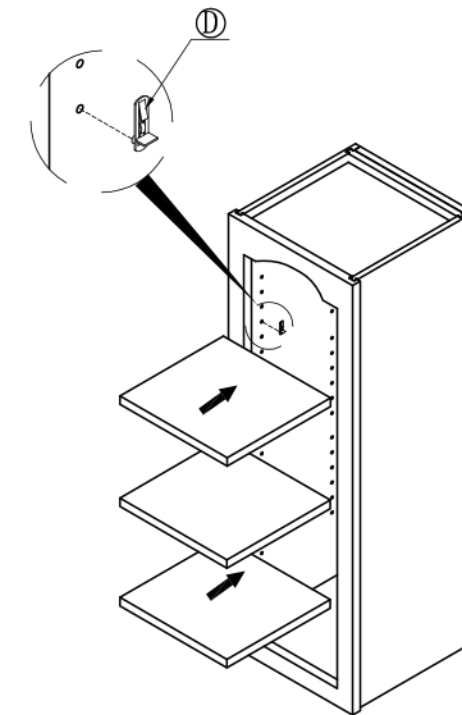
step 2



step 3



step 4



step 5

