



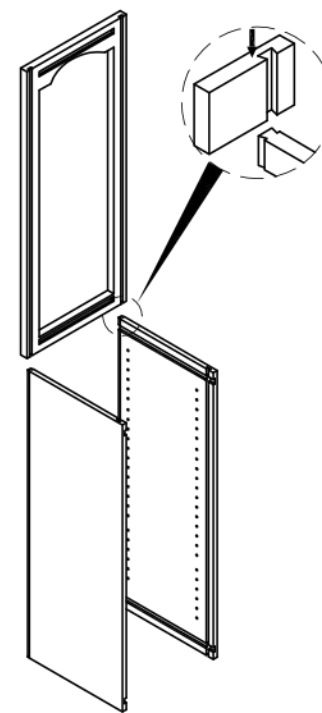


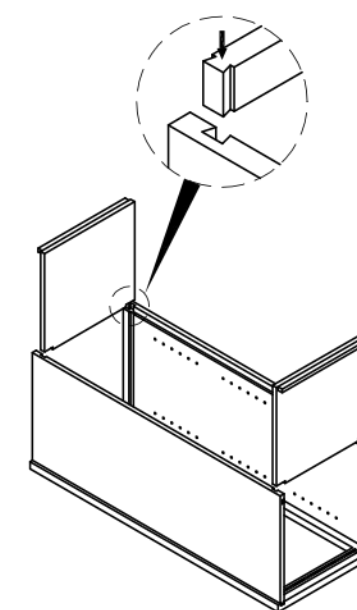
BC1860
BC3060

Assembly instructions

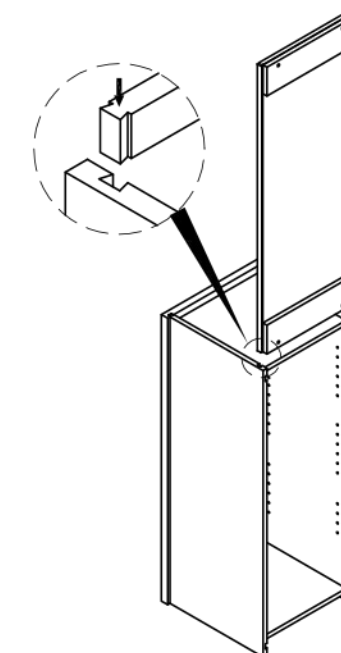
NO.	Picture	Specification	Qty
A		Φ4*1"	4
B			4
C		Φ4*1/2"	8
D			16



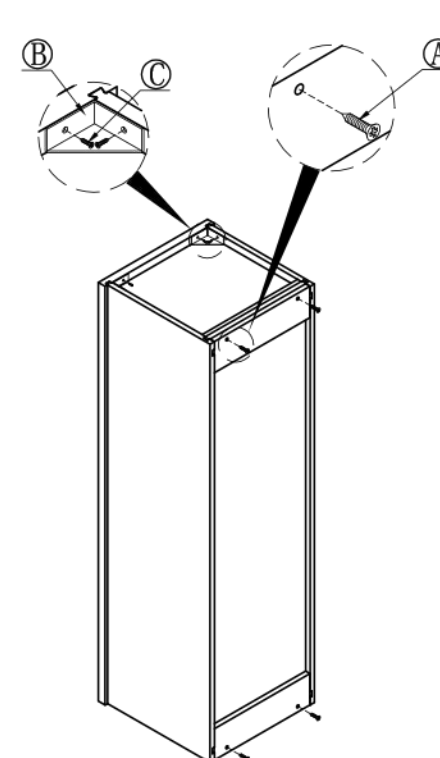
step 1



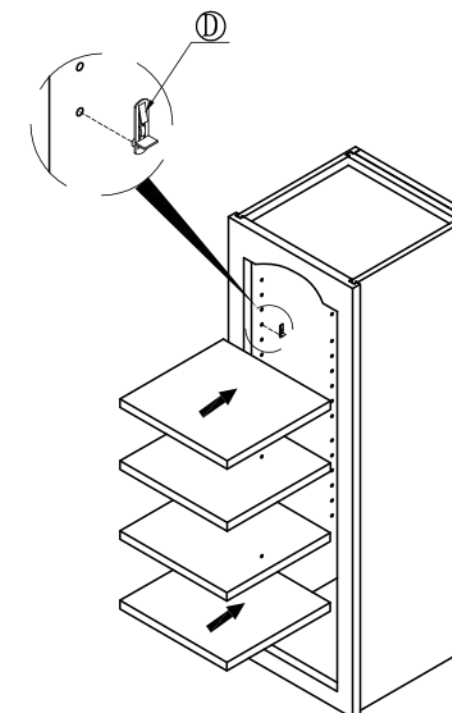
step 2



step 3



step 4



step 5

